

HSF

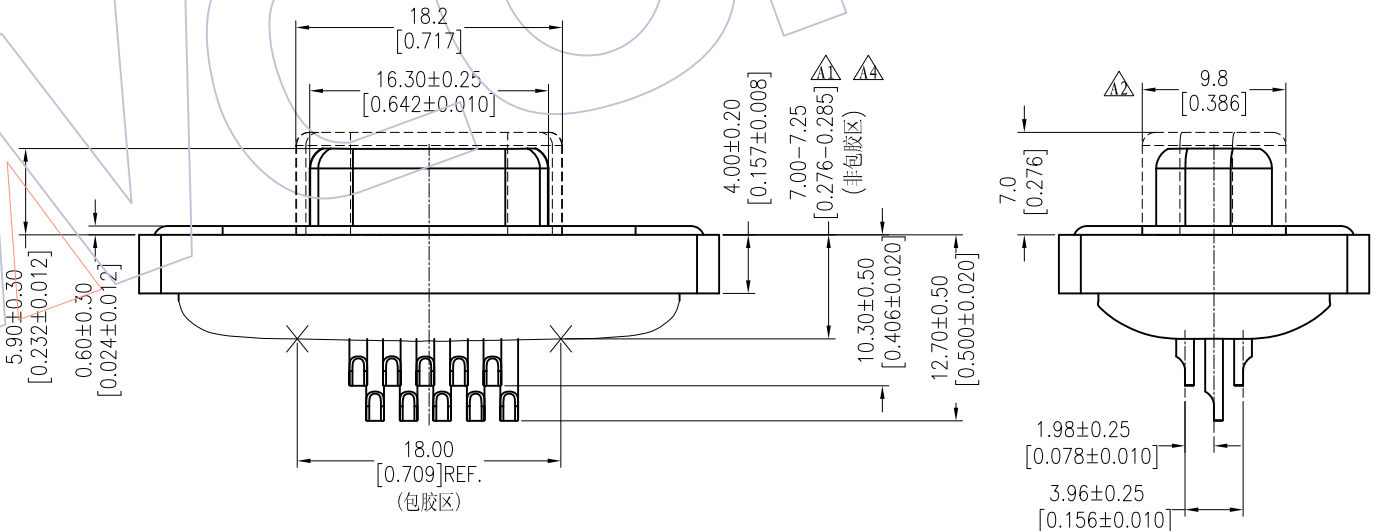
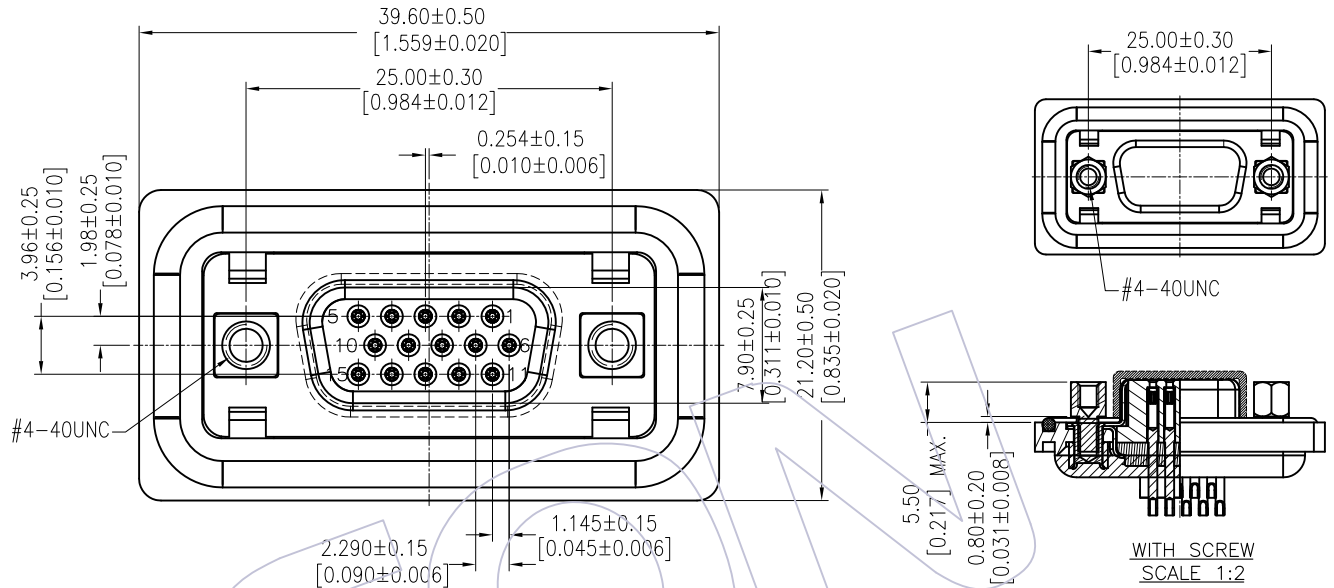
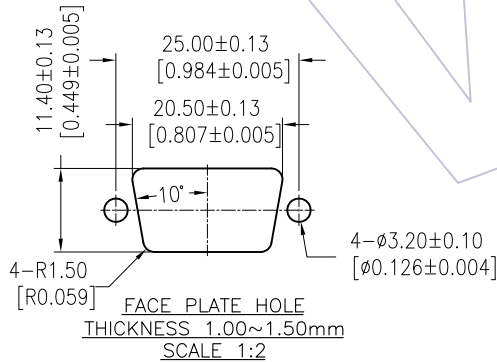
NOTES:

1. ELECTRICAL:
 - 1.1 CONTACT CURRENT RATING: 3 AMPERES
 - 1.2 CONTACT RESISTANCE: 35 MILLIOHMS MAX.(UPPER)
25 MILLIOHMS MAX.(LOWER)
 - 1.3 DIELECTRIC WITHSTANDING VOLTAGE: 500V AC FOR 1MINUTE
 - 1.4 INSULATION RESISTANCE: 1000 MEGOHMS MIN AT 500V DC
2. MECHANICAL:
 - 2.1 INSERTION FORCE: 340 g/f MAX
 - 2.2 SEPARATION FORCE: 21 g/f MIN
 - 2.3 SCREW COUNTER TORSION FORCE: 5.0 KgF.cm MIN.
3. ENVIRONMENTAL:
 - 3.1 TEMPERATURE RATING: -40°C TO +85°C.
 - 3.2 WATERPROFF CLASS: IP67
 - 3.3 AIRPROOF CAPABILITY: PRESSURE DROP 0.3 KPa MAX.
AT 52.2 KPa FOR 3 MINUTE.
4. WIRE RANGE: 20#~24#
5. ALL MATERIALS SHOULD BE COMPLIANT TO ROHS

Ordering Information

6244-15 F L XX X B X 1

No. of Pins	Contact Plating	Waterproof Circle	Color	N=Without Cap
15	G0=Gold Flash G3=10u"Gold G4=12u"Gold G5=30u"Gold	F=With Front Waterproof Circle B=With Back Waterproof Circle	B=Black	W=With Cap



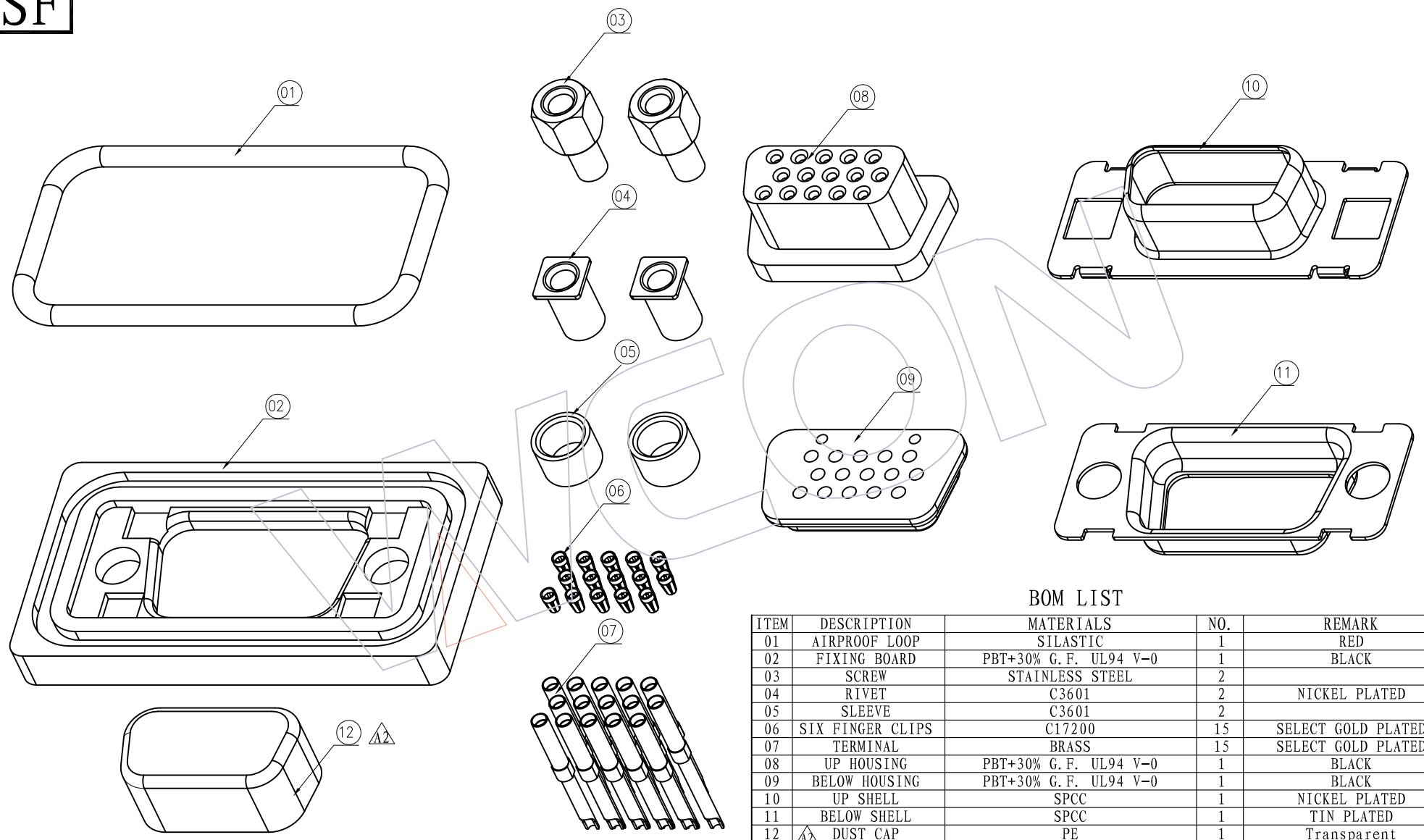
REV	DATE	MODIFICATION DESCRIPTION	CHANGE	OPERATION	DRAW	DATE	SCALE	FIT	PART NO.
A4	2015/07/16	MODIFY	△△	OPERATION	Draw	2015/07/16	SCALE	FIT	6244-15FLXXFBX1
A3	2014/02/19	MODIFY G4=15u"Gold TO G4=12u"Gold	△△	X.X ±0.40	Allen		UNIT	mm	TITLE: D-SUB 15P FEMALE THREE ROWS 180° SOLDER TYPE WITH WATERPROFF
A2	2014/01/03	ADD THE DUST CAP	△△	X.XX ±0.25	CHECK	DATE	SIZE	A4	
A0	2012/10/11	NEW	—	X.XXX ±0.15	APPROVE	DATE	SHEET	1/2	Customer NO.
				Angle ± 3'			PROJ.		



Http: www.wcon.com

WCON-Dongguan Tel: +86 769 85358920 Fax: +86 769 85358915 E-mail: sales@wcon.com	WCON-Kunshan Tel: +86 512 57468408 Fax: +86 512 57468468 E-mail: sales@wcon.com
---	--

HSF



BOM LIST

ITEM	DESCRIPTION	MATERIALS	NO.	REMARK
01	AIRPROOF LOOP	SILASTIC	1	RED
02	FIXING BOARD	PBT+30% G. F. UL94 V-0	1	BLACK
03	SCREW	STAINLESS STEEL	2	
04	RIVET	C3601	2	NICKEL PLATED
05	SLEEVE	C3601	2	
06	SIX FINGER CLIPS	C17200	15	SELECT GOLD PLATED
07	TERMINAL	BRASS	15	SELECT GOLD PLATED
08	UP HOUSING	PBT+30% G. F. UL94 V-0	1	BLACK
09	BELOW HOUSING	PBT+30% G. F. UL94 V-0	1	BLACK
10	UP SHELL	SPCC	1	NICKEL PLATED
11	BELOW SHELL	SPCC	1	TIN PLATED
12	DUST CAP	PE	1	Transparent

REV	DATE	MODIFICATION DESCRIPTION	CHANGE	OPERATION	DRAW	DATE	SCALE	FIT	PART NO.
A4	2015/07/16	MODIFY	△△	OPERATION	DRAW	DATE	SCALE	FIT	6244-15FLXXFBX1
A3	2014/02/19	MODIFY G4=15u"Gold TO G4=12u"Gold	△△	X.X ±0.40	Allen	2015/07/16	UNIT	mm	
A2	2014/01/03	ADD THE DUST CAP	△△	X.XX ±0.25	CHECK	DATE	SIZE	inch	D-SUB 15P FEMALE THREE ROWS 180° SOLDER TYPE WITH WATERPROFF
A0	2012/10/11	NEW	—	X.XXX ±0.15	APPROVE	DATE	SHEET	2/2	
				Angle ± 3'			PROJ.	↺	Customer NO.
				DIM TOL					

WCON
Http: www.wcon.com

WCON-Dongguan Tel: +86 769 85358920 Fax: +86 769 85358915 E-mail: sales@wcon.com

WCON-Kunshan Tel: +86 512 57468408 Fax: +86 512 57468468 E-mail: salesks@wcon.com