



**NOTES:**

Rated Current: 2.0AMP.  
 Contact Resistance: 20mΩ Max.  
 Withstand Voltage: 500V AC/DC  
 Insulation Resistance: 1000MΩ Min.  
 Operation Temperature: -40°C to +105°C

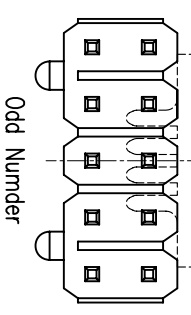
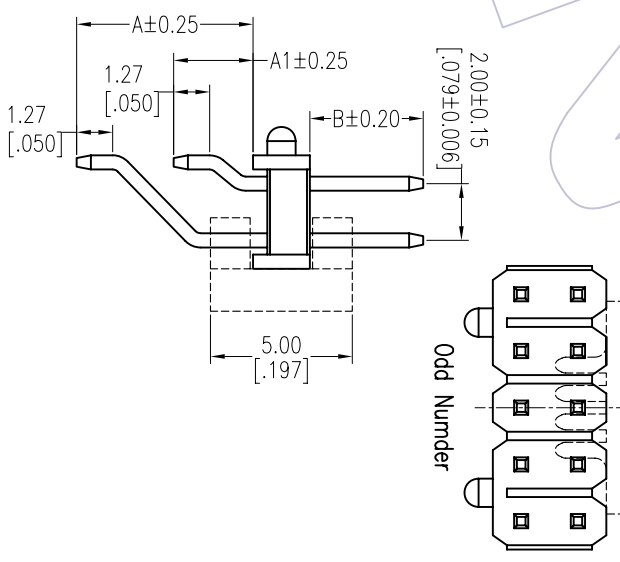
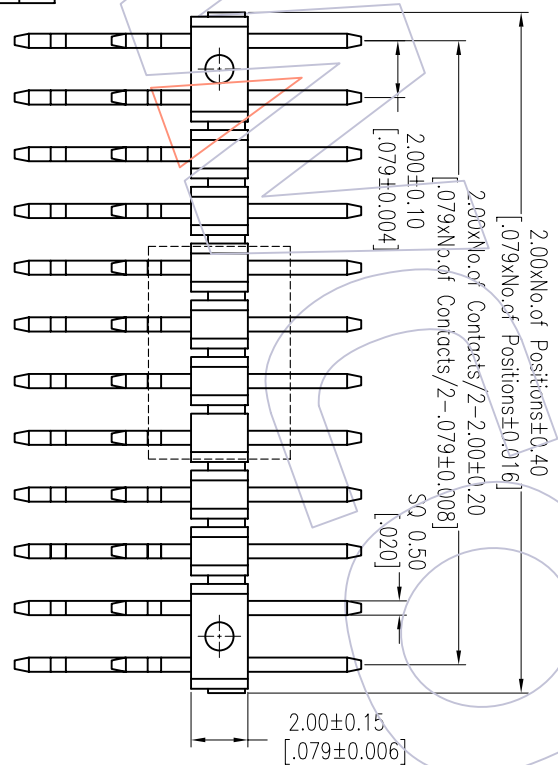
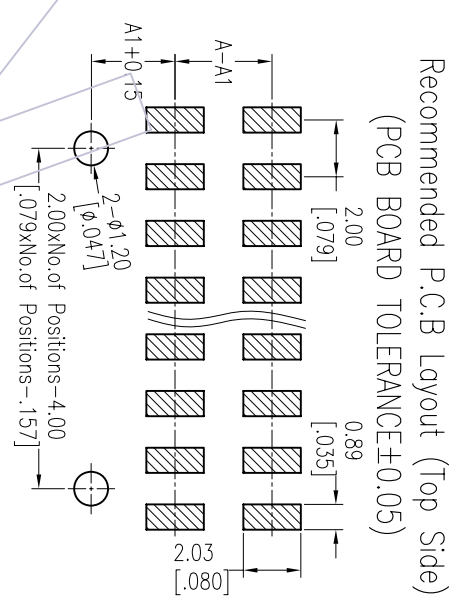
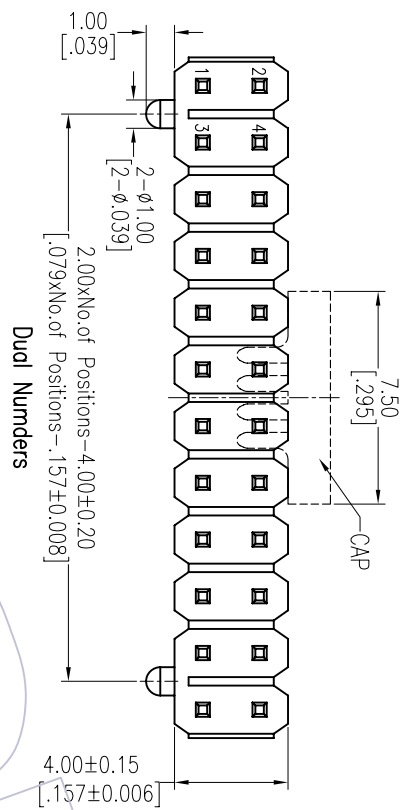
Contact Material: Brass  
 Contact Plating: Au or Sn Over Ni  
 Insulator Material: PA9T+30%G.F UL94V-0 BK

**Ordering Information**

1220-12 XX XX Z XXX X 2

No. of Pins Contact Plating Pin Length(Short) Packing  
 Per Row: 2-40 G=Gold Flash L=A1+B+2.2 T=Tube  
 G3=10u" Gold Standard: 069=6.9 P=Tube+CAP  
 G4=15u" Gold 080=8.0 R=Tape&Reel+CAP  
 G5=30u" Gold 090=9.0  
 S0=Gold Flash/Tin  
 S3=10u" Gold/Tin  
 S4=15u" Gold/Tin  
 S5=30u" Gold/Tin

Item	Pin Length	A1	A	B	Mating
	6.90	2.80	6.22	1.90	
Standard	8.00	2.80	6.22	3.00	
	9.00	2.80	6.22	4.00	2240 2243 2263 2272
Alternate					



REV	DATE	MODIFICATION DESCRIPTION	CHANGE
A0	2012/04/26	NEW	

OPERATION	DRAW	DATE	SCALE	FIT
XX	<i>William Diao</i>	2012.04.26	mm	1/1
XX	CHECK	DATE	UNIT	
X.XXX	±0.25		SIZE	A4
Angle	±0.15		SHEET	1/1
DIM	TOL	APPROVE	PROJ.	

PART NO.	TITLE:
1220-12XXXXXX	PH2.00 DUAL ROW 90° SMT H=2.0 WITH POST
Customer NO.	



Http: www.wcon.com

WCON-Dongguan Tel: +86 769 85358920 Fax: +86 769 85358915 E-mail: sales@wcon.com

WCON-Kunshan Tel: +86 512 57468408 Fax: +86 512 57468468 E-mail: sales@wcon.com