

# HSF

**NOTES:**

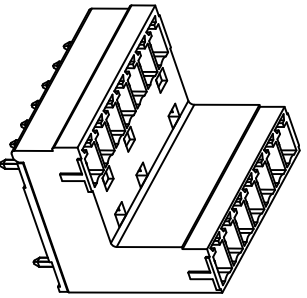
1. MATERIAL:  
 1.1 HOUSING: PA66+30%GF(UL94V-0)  $\Delta$   
 1.2 COVER: PA66+30%GF(UL94V-0)  $\Delta$   
 1.3 TERMINAL: BRASS, MATTE TIN PLATED OVER NICKEL

2. ELECTRICAL:  
 2.1 CURRENT RATING: 8 A  
 2.2 VOLTAGE RATING: 300 V  
 2.3 CONTACT RESISTANCE: 8 m MAX  
 2.4 DIELECTRIC WITHSTANDING VOLTAGE: 2000V AC  
 2.5 INSULATION RESISTANCE: 1000 M MIN  $\Omega$
3. ENVIRONMENTAL:  
 3.1 OPERATION TEMPERATURE: -40°C TO +105°C  
 4. No. OF POSITIONS: 2~20  
 5. ALL MATERIALS SHOULD BE COMPLIANT TO ROHS

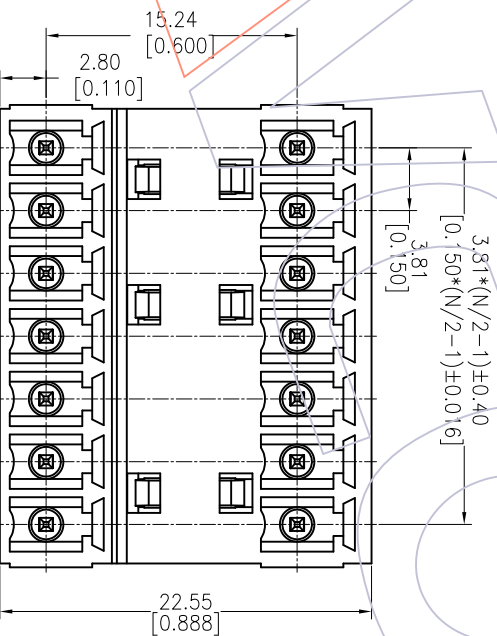
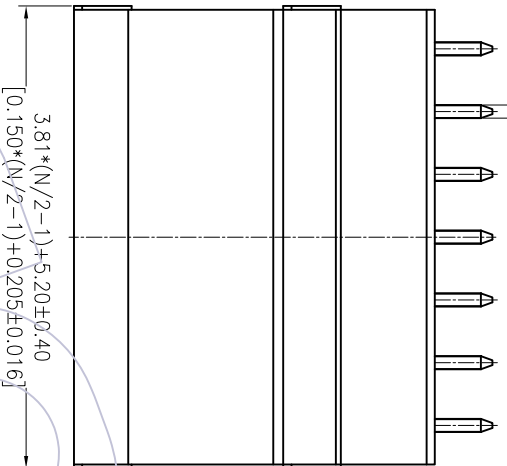
**Ordering Information:**

P M 381 - 3 S XX X SM 1 N

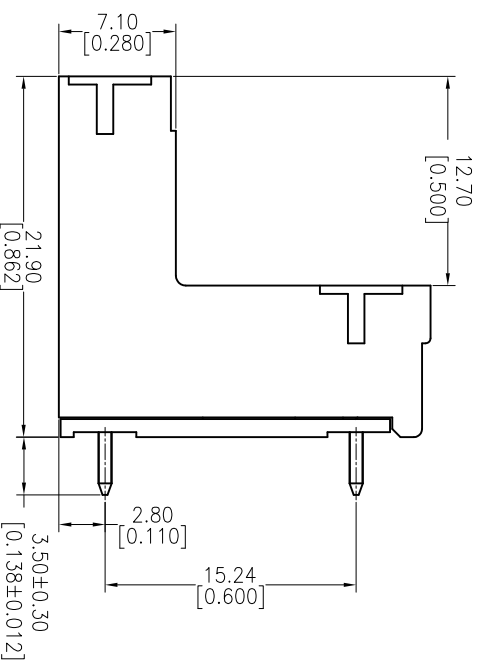
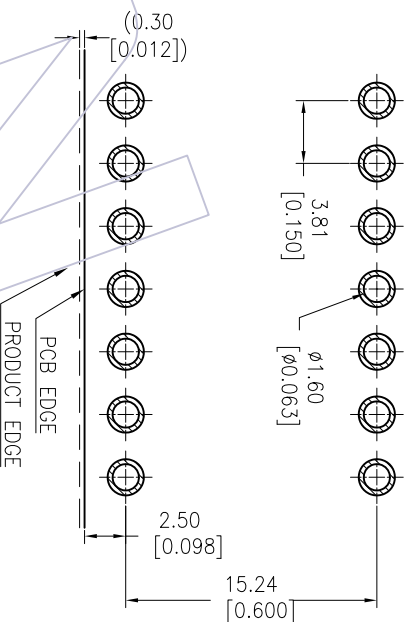
M=Male Pitch 381=3.81  
 No. of Pins 02-20P  
 Color A=Green SM=Matte Tin  
 Contact Plated Series No.



SQ 0.80  
 [0.031]



Recommended P.C.B Layout (Top Side)  
 (PCB BOARD TOLERANCE ± 0.05)



OPERATION	DRAW	DATE	SCALE	FIT
XX	Tsingn	2013/06/05	mm	
±0.40	CHECK	DATE	inch	
X.XX	±0.25		A4	
X.XXX	±0.15		1/1	
Angle	APPROVE	DATE	SHEET	PROJ.
± 3'			1/1	
DIM	TOL			

PART NO. PM381-3SXXXSM1N  
 TITLE: 3.81mm Pitch Male Pluggable Terminal Blocks With Double Stagger Tier  
 Customer NO.

**WCON**  
 Http: www.wcon.com

WCON-Dongguan Tel: +86 769 85358920 Fax: +86 769 85358915 E-mail: sdes@wcon.com  
 WCON-Kunshan Tel: +86 512 57468408 Fax: +86 512 57468468 E-mail: sdesks@wcon.com

REV	DATE	MODIFICATION DESCRIPTION	CHANGE
A1	2013/06/05	Modify The Housing and Cover Material	$\Delta$
A0	2013/01/30	NEW	